

Better Pancakes Built to Last

Flow rate ✓

✓ Metallic core

Internal structure ✓

dINEX

But how? →

Same on the outside
Re-engineered Inside

*At Dinex, we challenge
benchmarks...*



*... so for our DOCs for Cummins
EPA17-21 systems...*

... we did things differently!

dINEX

Change no. 1 →

Change no. 1

Metallic Core

*Compared to a ceramic cores,
Dinex metallic DOCs offer...*



- ✓ *Better mechanical durability*
- ✓ *Lower thermal mass (for faster system heat-up)*

*Performance
powered by*



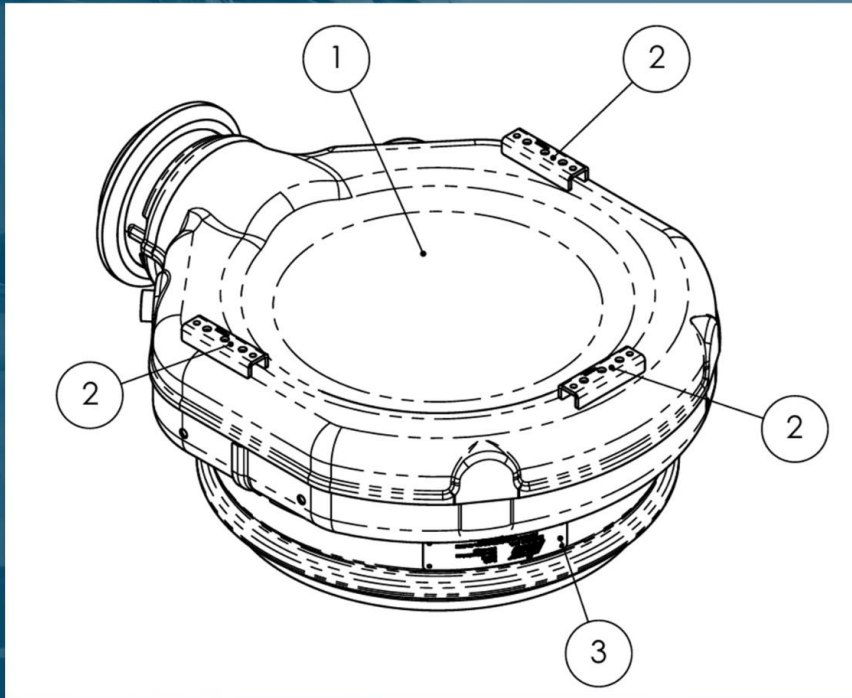
dINEX CATALYST
TECHNOLOGIES

dINEX

Change no. 2 →

Change no. 2

Simplified Inner Structure



Fewer internal components



Fewer things may break



A stronger product



More durability

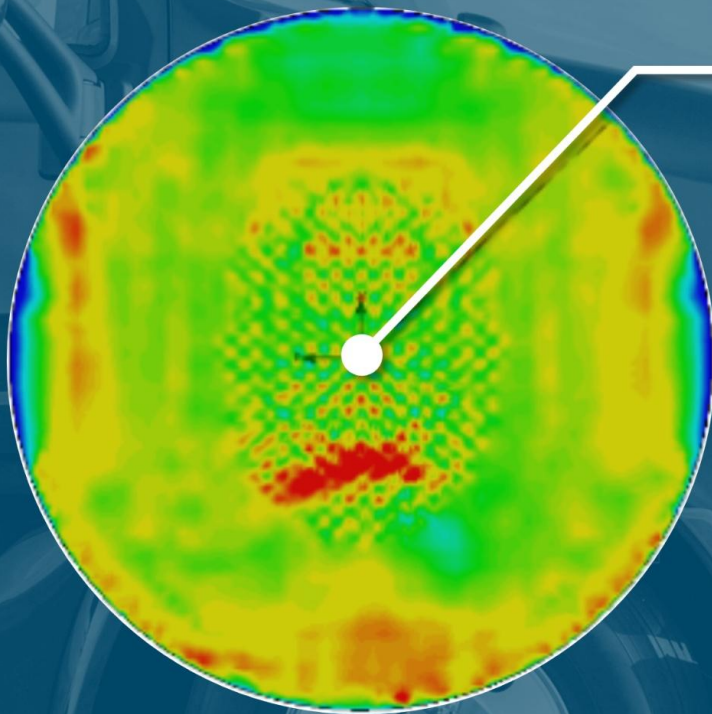
dINEX

Change no. 3 →

Change no. 3

Improved Flow Rate

*Simplified flow paths reduced
backpressure by ~10%...*



*... while retaining flow
uniformity at **index 0.943!**
(well within industry standards)*

dINEX

Ready to Upgrade? →

DOCs for Cummins EPA17-21

Ready to Upgrade?



Metallic core

Simplified internal structure

Improved flow rate

Lower backpressure

3-year unlimited mileage warranty

dINEX

dinex.us/DOC

Full Range Coverage ● DPFs ● SCRs ● DOCs ● OneBox ● Pipes
Nationwide Shipping in <24 hrs. ● Competitive Pricing ● No Patent Infringement